

## Control power

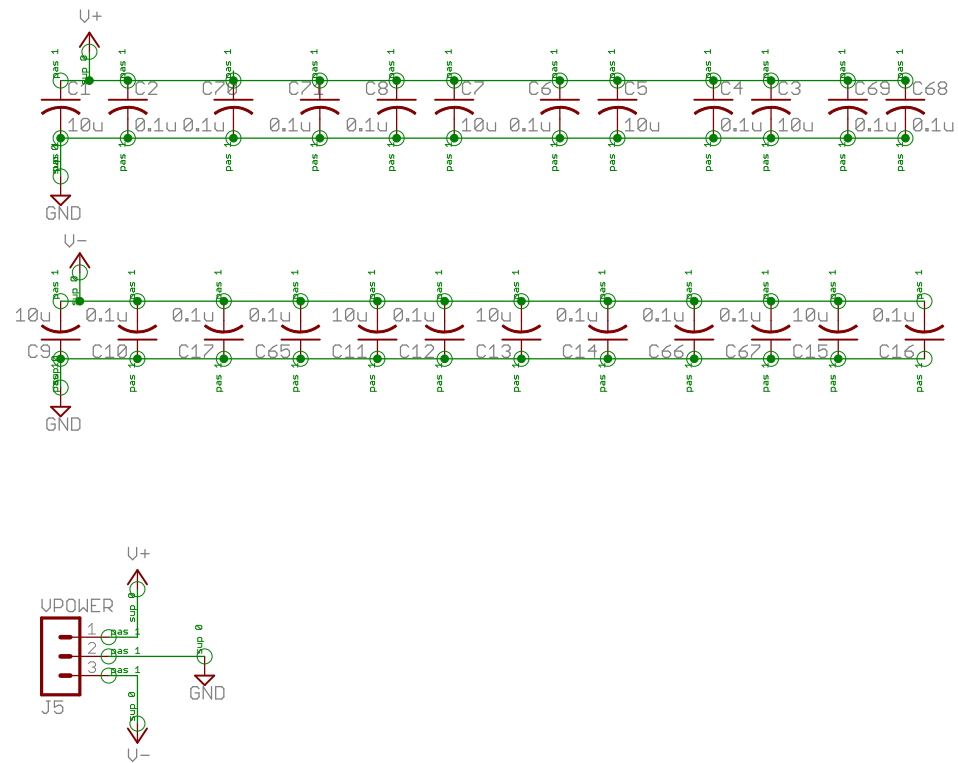
TITLE: zoomNILM

Document Number:

REV:

Date: 18 Jun 2013 19:21:36

Sheet: 1/12



# Unregulated Supply

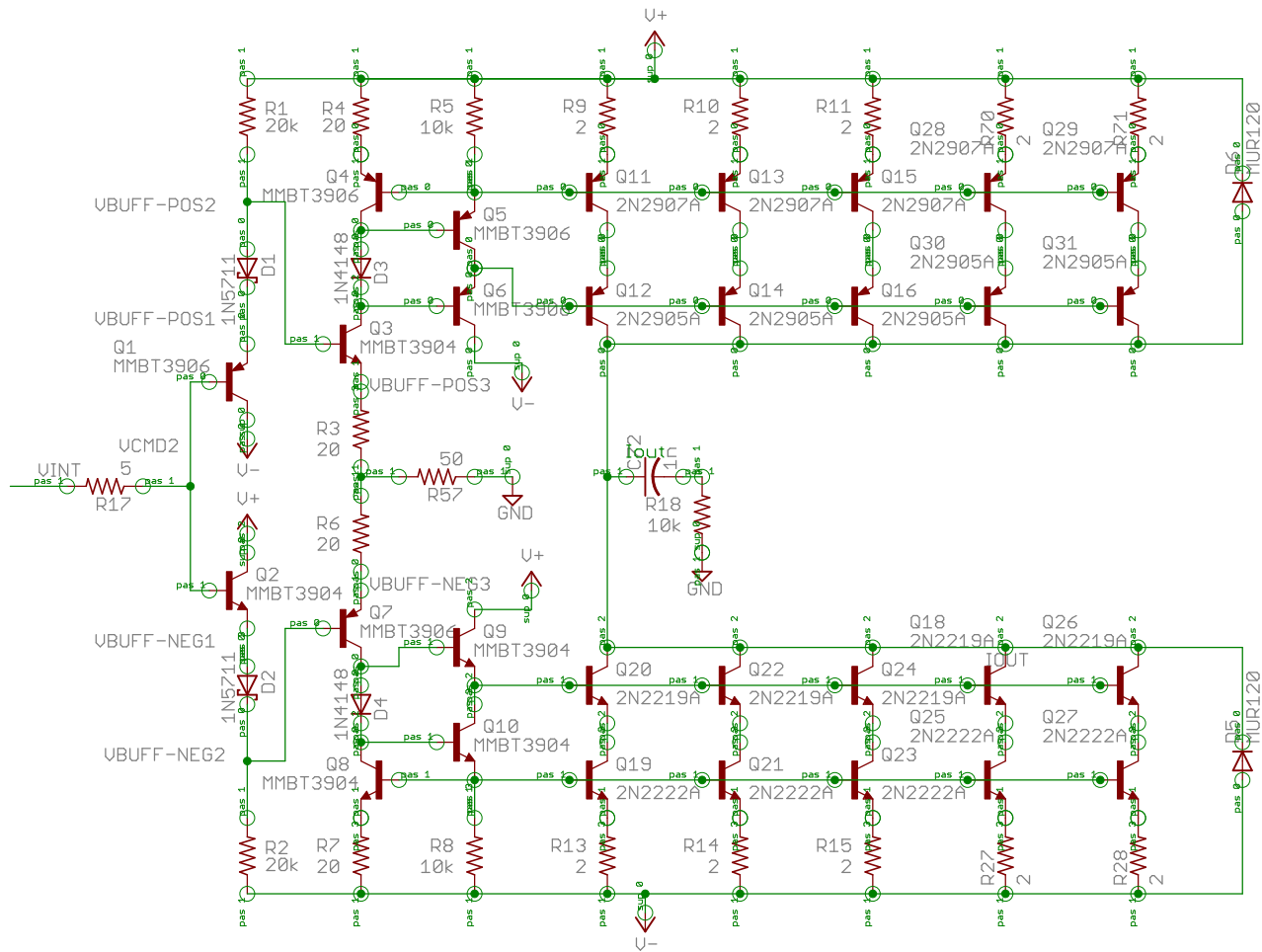
TITLE: zoomNILM

Document Number:

REV:

Date: 18 Jun 2013 19:21:36

Sheet: 2/12



current source

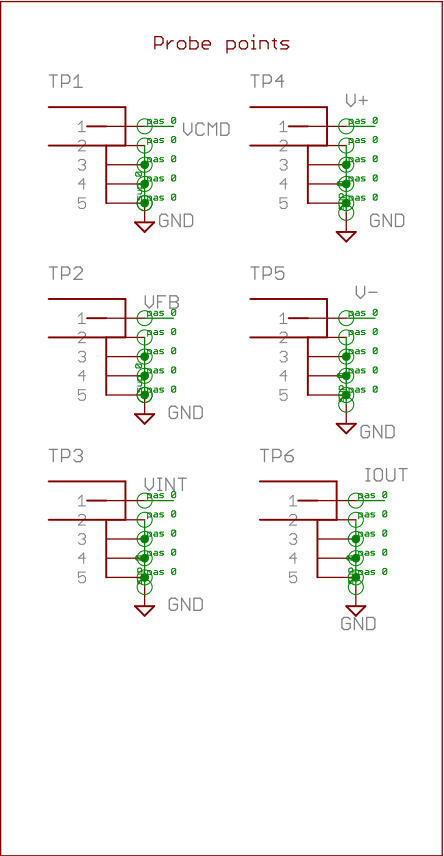
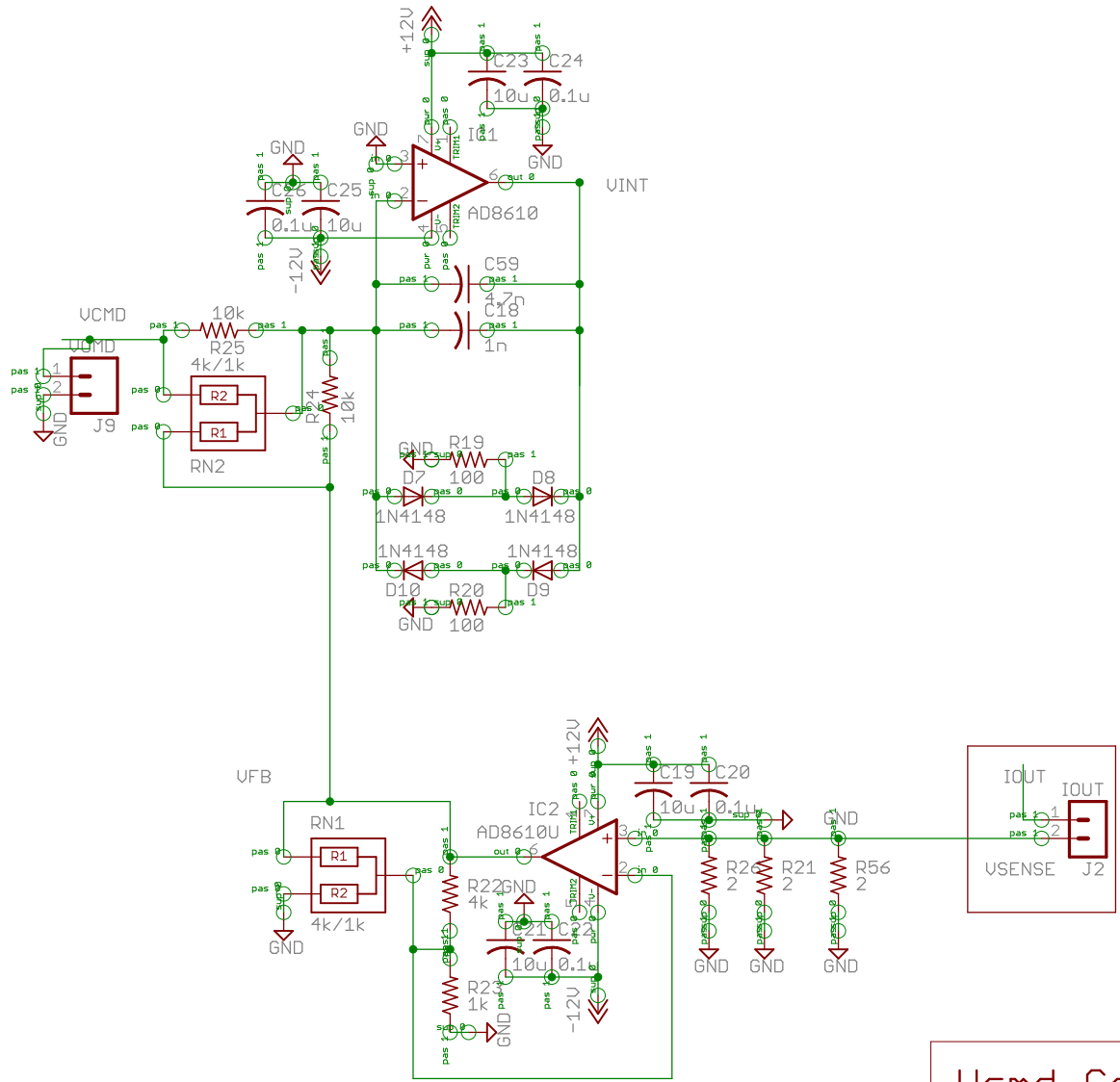
TITLE: zoomNILM

Document Number:

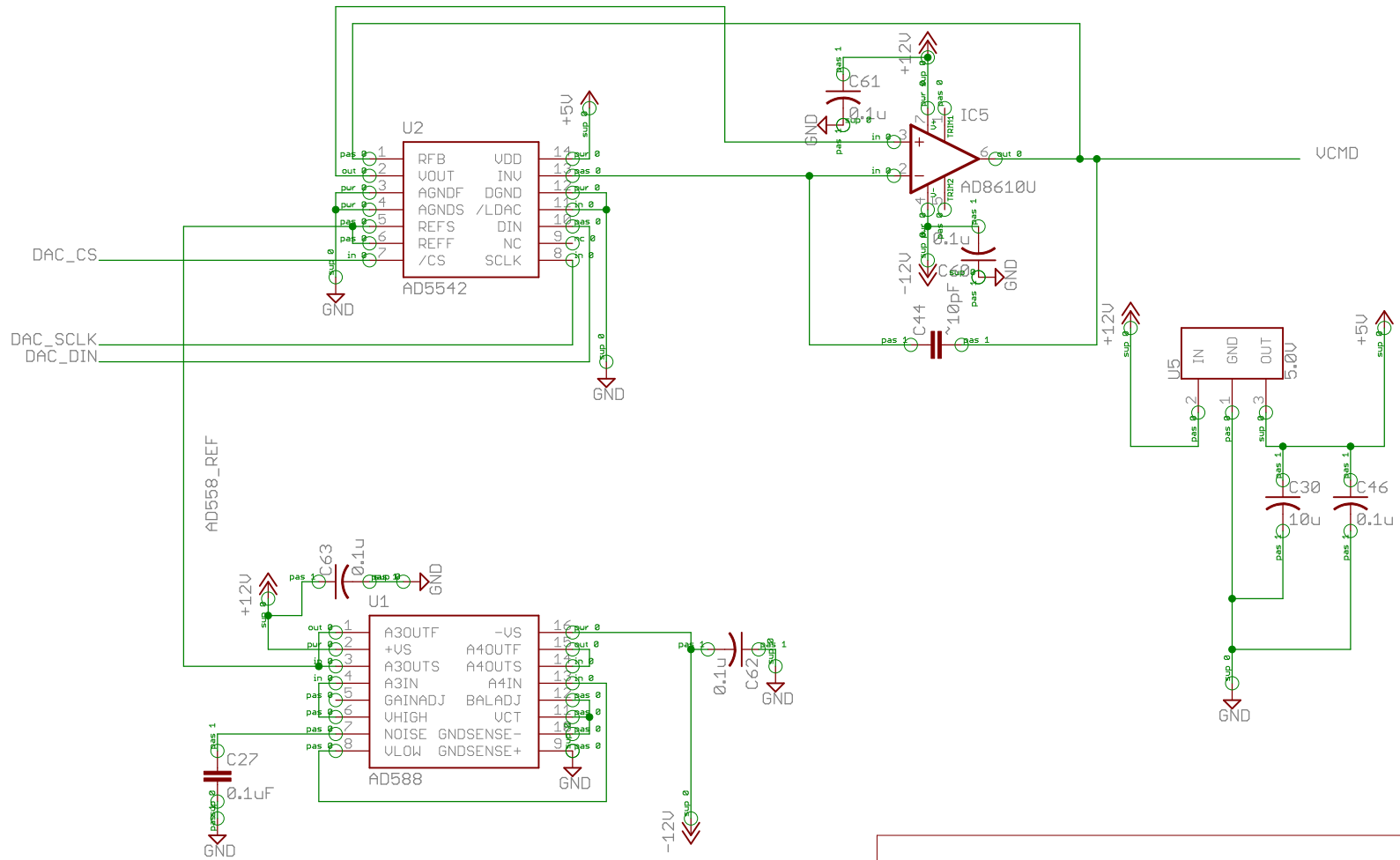
REV:

Date: 18 Jun 2013 19:21:36

Sheet: 3/12



<h2>Vcmd Control circuit</h2>	
TITLE: zoomNILM	
Document Number:	REV:
Date: 18 Jun 2013 19:21:36	Sheet: 4/12



## DAC

TITLE: zoomNILM

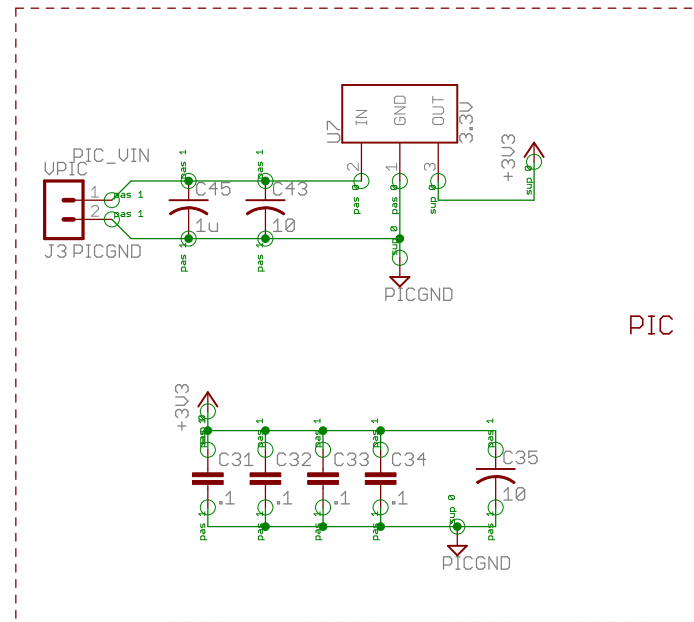
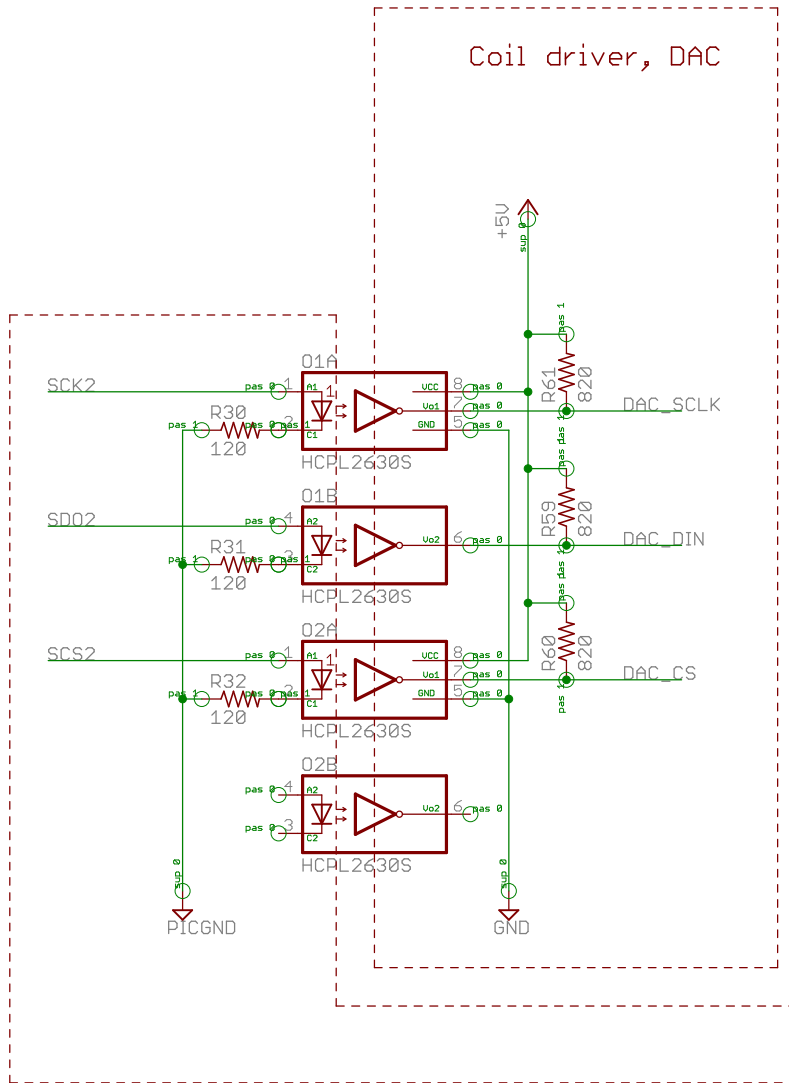
Document Number:

REV:

Date: 18 Jun 2013 19:21:36

Sheet: 5/12

### Coil driver, DAC



### PIC power, DAC isolation

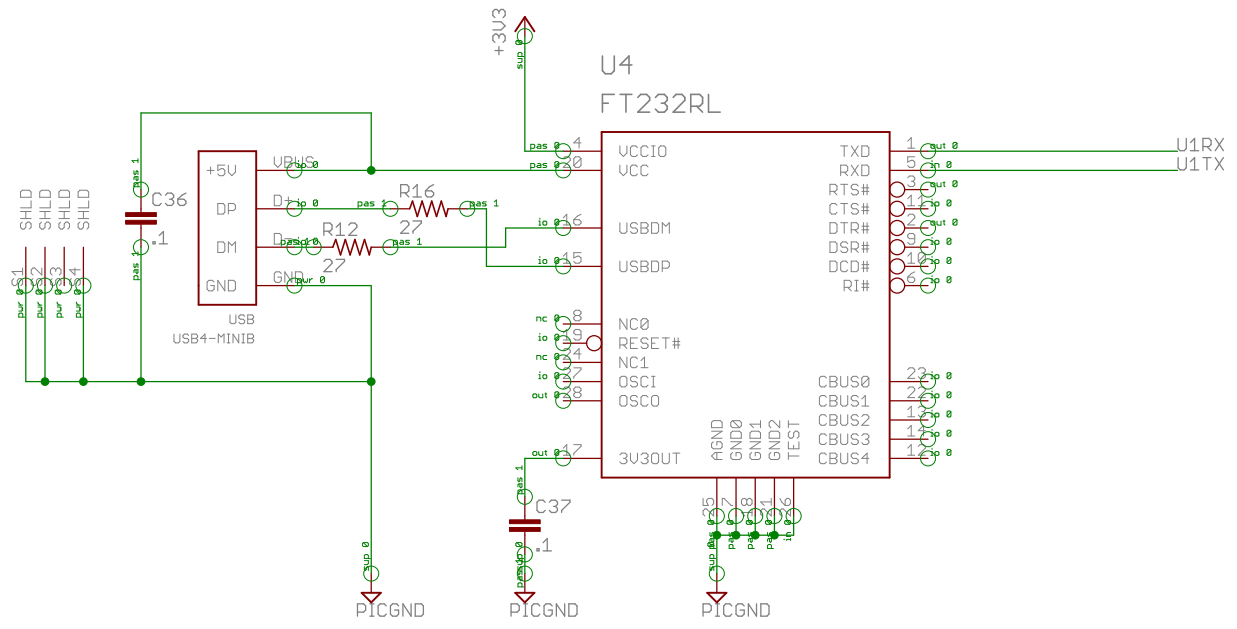
TITLE: zoomNILM

Document Number:

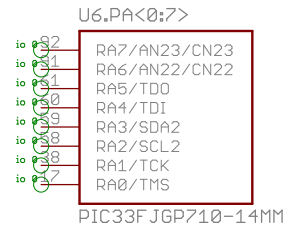
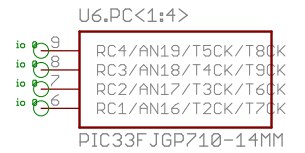
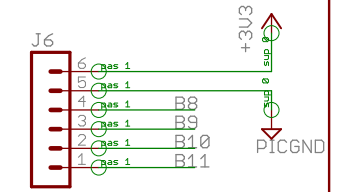
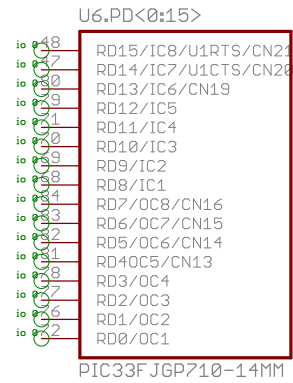
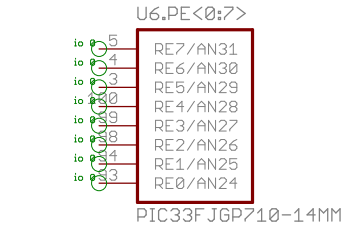
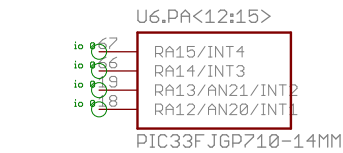
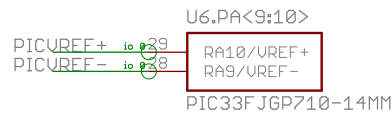
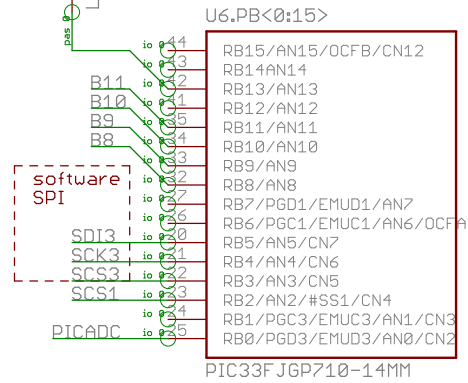
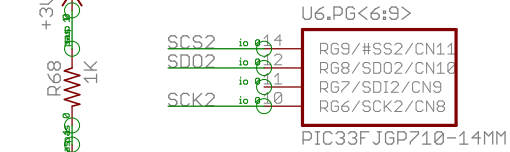
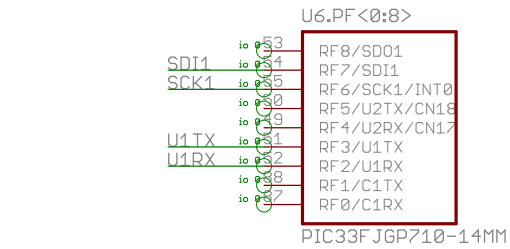
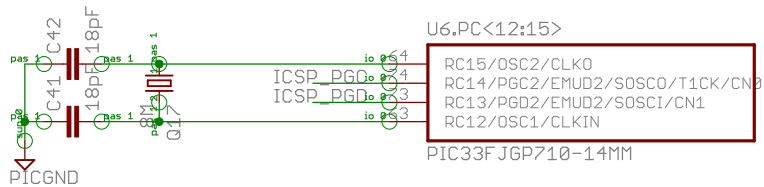
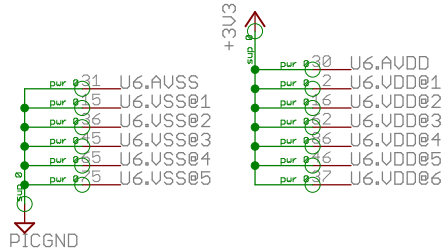
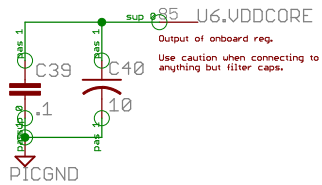
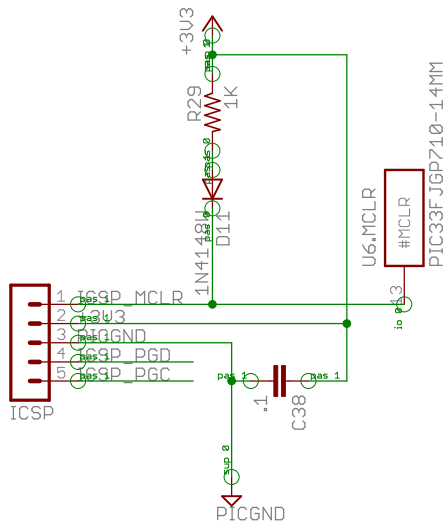
REV:

Date: 18 Jun 2013 19:21:36

Sheet: 6/12



PIC USB	
TITLE: zoomNILM	
Document Number:	REV:
Date: 18 Jun 2013 19:21:36	Sheet: 7/12



PIC

TITLE: zoomNILM

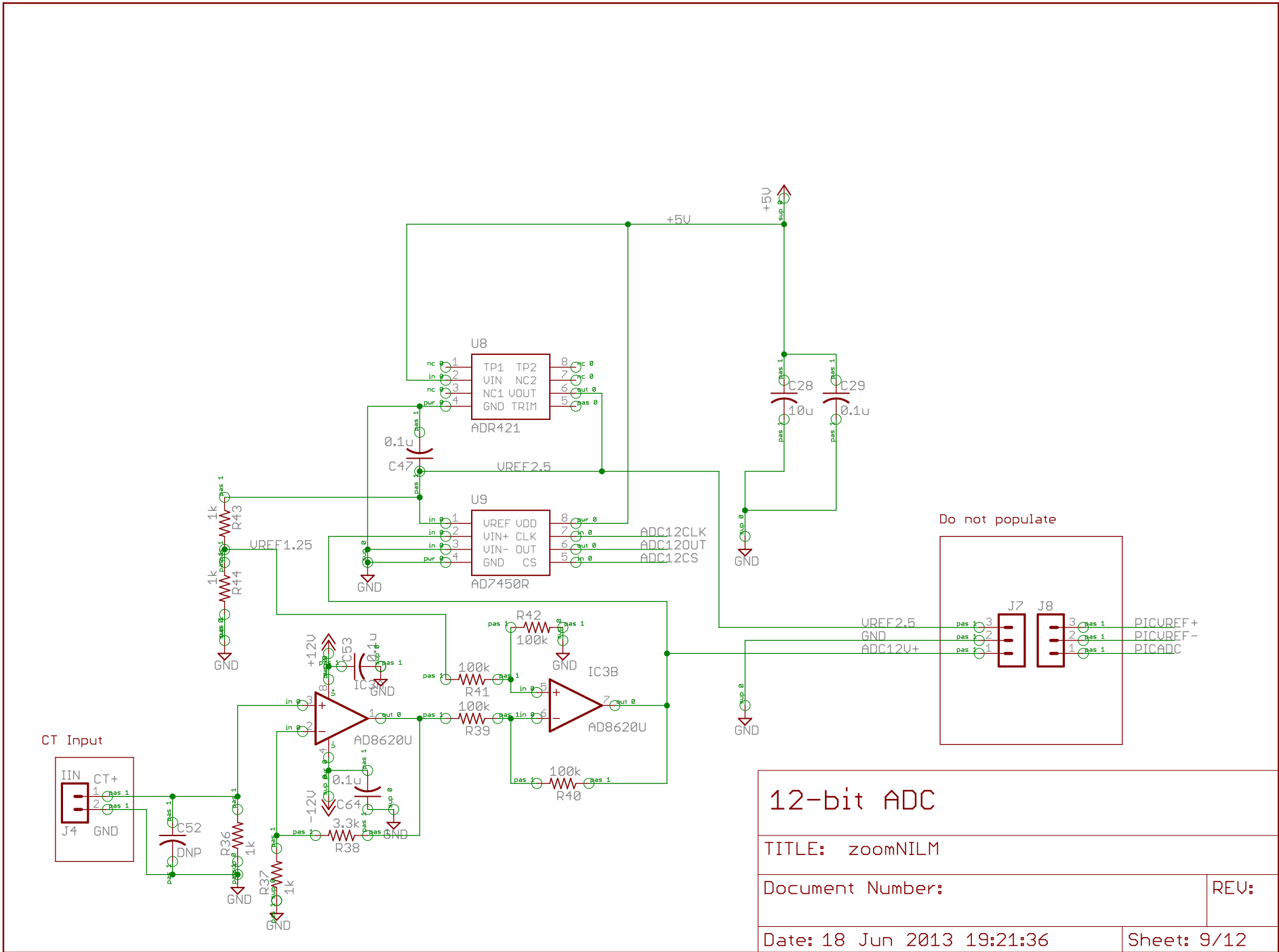
Document Number:

REV:

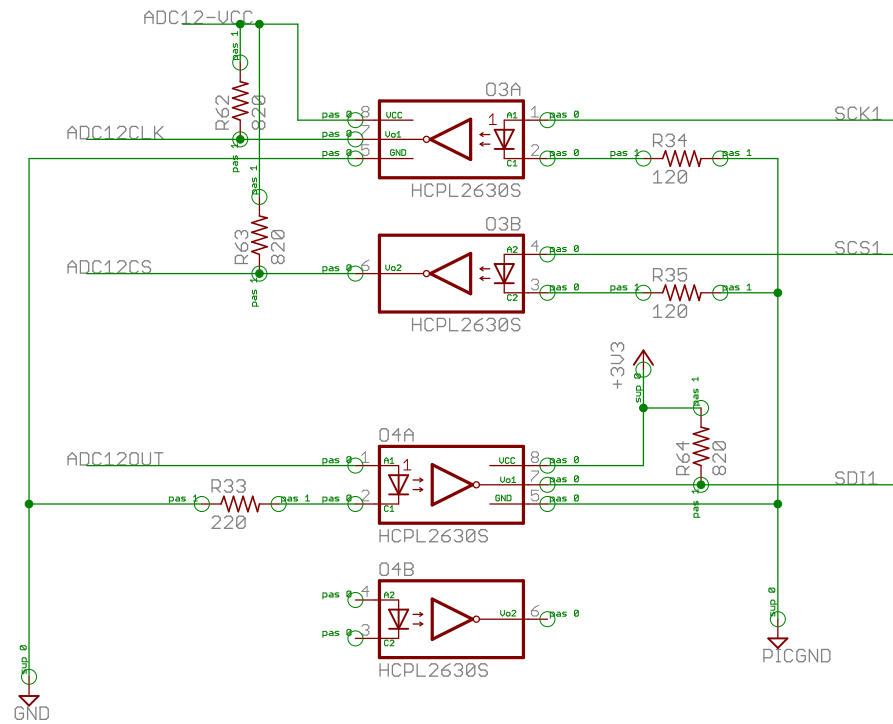
Date: 18 Jun 2013 19:21:36

Sheet: 8/12





<h1>12-bit ADC</h1>	
TITLE: zoomNILM	
Document Number:	REV:
Date: 18 Jun 2013 19:21:36	Sheet: 9/12



## 12-bit ADC isolation

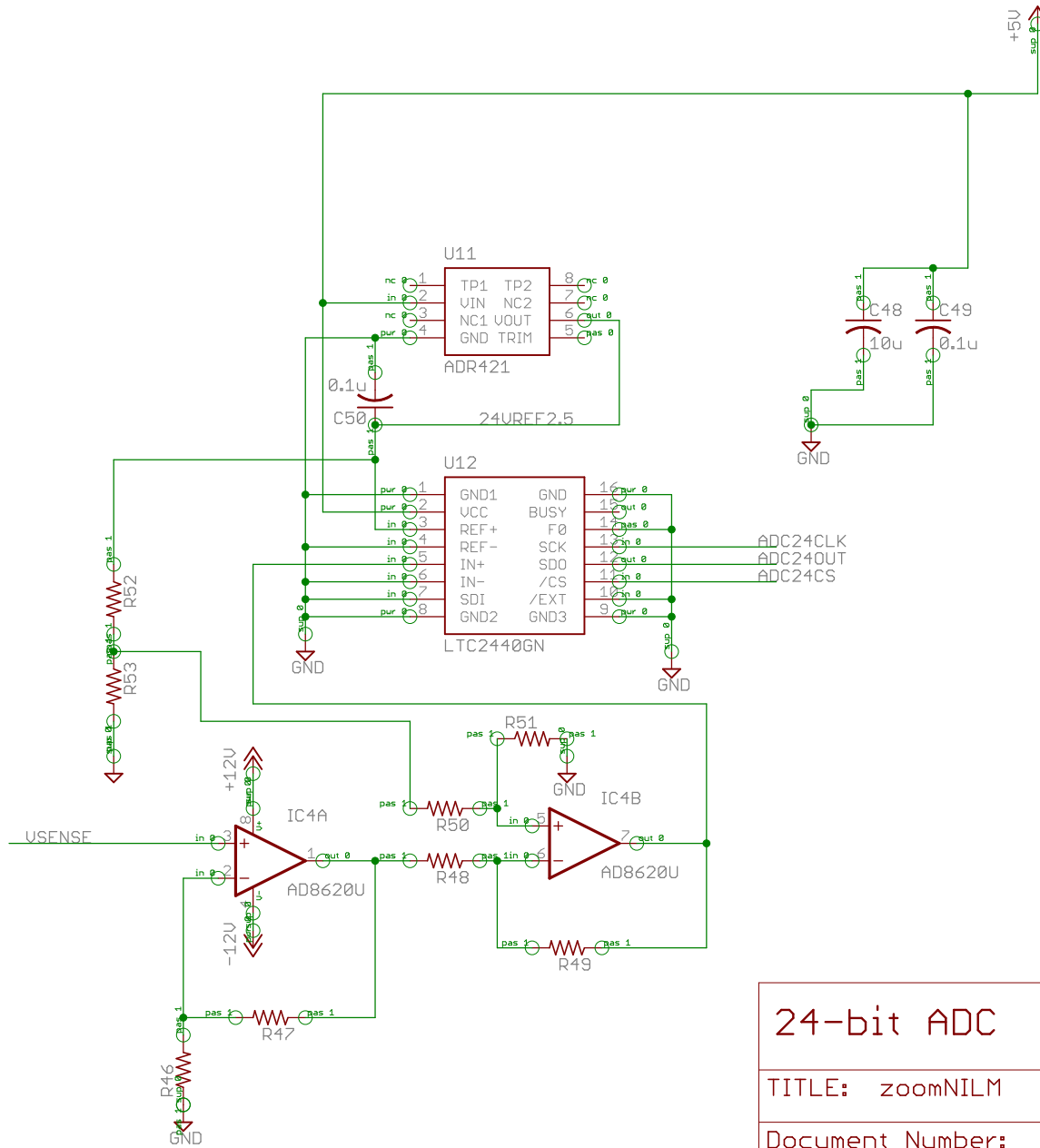
TITLE: zoomNILM

Document Number:

REV:

Date: 18 Jun 2013 19:21:36

Sheet: 10/12



## 24-bit ADC

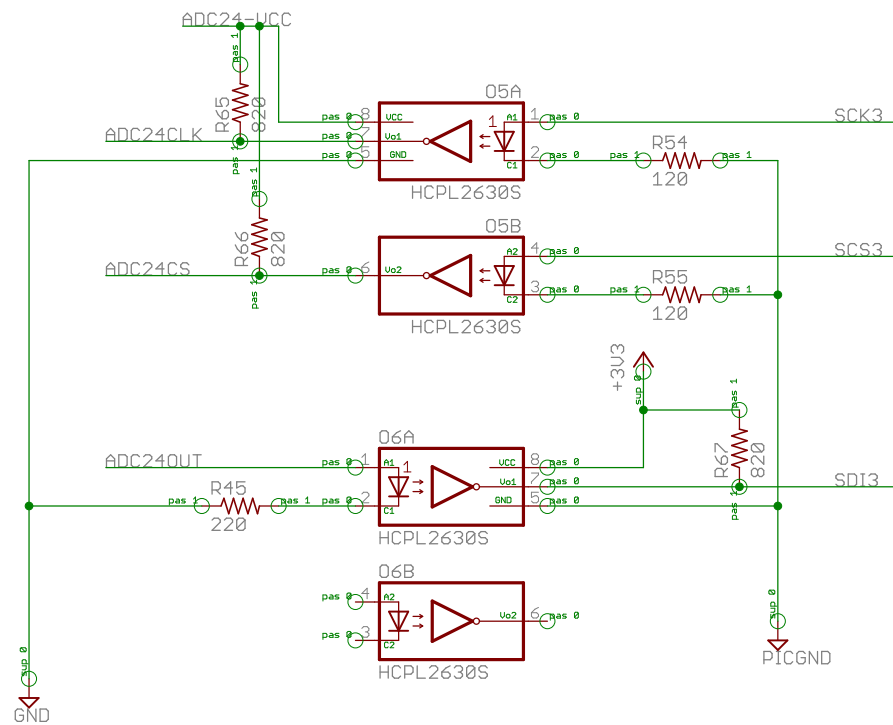
TITLE: zoomNILM

Document Number:

REV:

Date: 18 Jun 2013 19:21:36

Sheet: 11/12



## 24-bit ADC isolation

TITLE: zoomNILM

Document Number:

REV:

Date: 18 Jun 2013 19:21:36

Sheet: 12/12